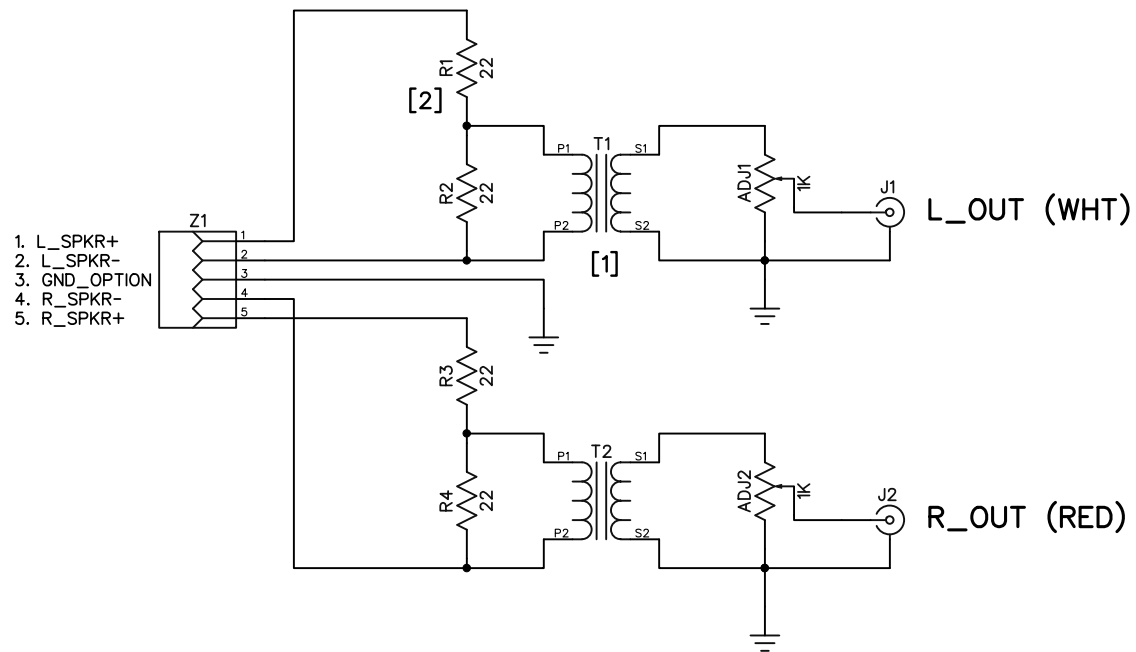


SPEAKER LEVEL TO LINE LEVEL CONVERTER EXAMPLE SCHEMATIC

(BASED ON HL300 & SIMILAR PRODUCTS)

SOUNDCERTIFIED.COM (C) 2023



NOTES:

1. 15:1 STEP-DOWN (OR SIMILAR) TRANSFORMER RATIO
2. 22 OHM VALUES ARE EXAMPLE/TYPICAL; SUBSTITUTE R_x INPUT RESISTOR VALUES AS NEEDED
3. RECOMMEND USING MIN. 22 OHM FOR R_x, WITH TOTAL BELOW 100 OHMS

SPEAKER/LINE LEVEL CONVERTER SCHEMATIC		
Size	Number	Rev
A4	N/A	B
Date:	JUN-02-2023	Drawn by: MM
Filename	TBD	Sheet 1/1