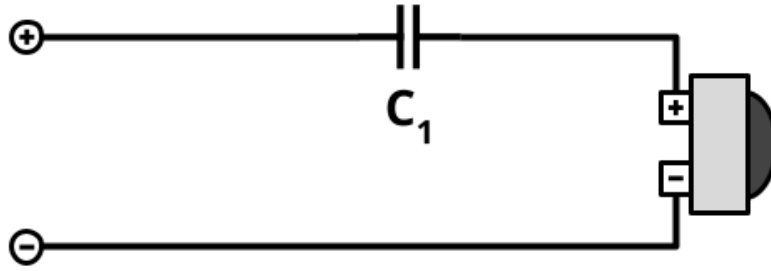


Printable Speaker Crossover Schematics

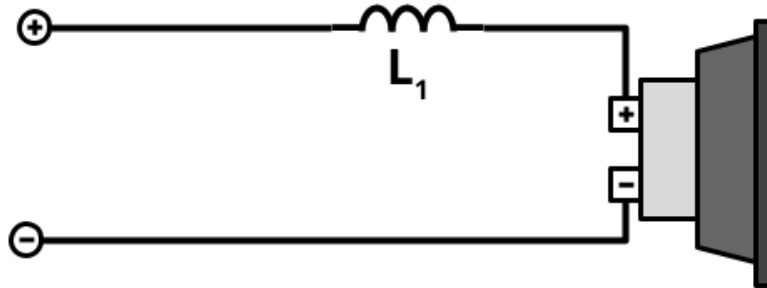
Provided by SoundCertified.com

1st order high pass or low pass

High-pass 1st
order
(6dB/octave)



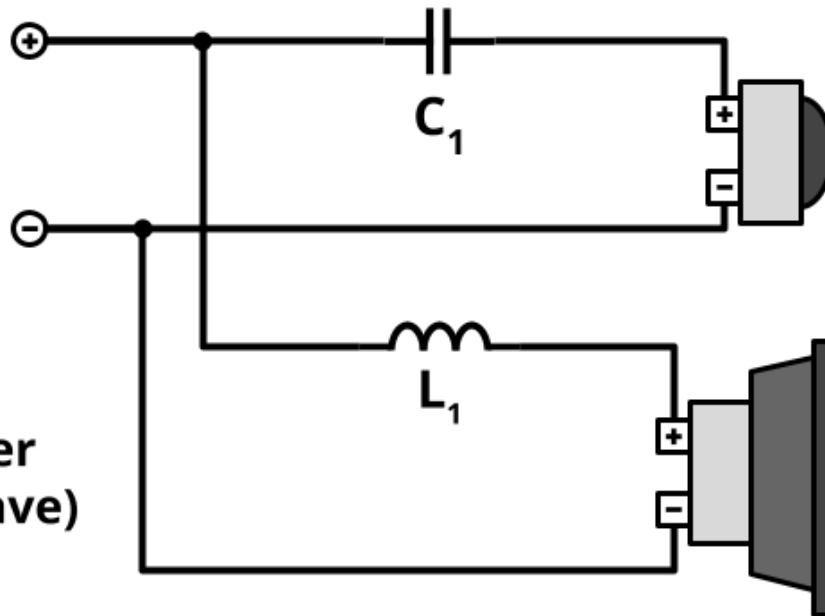
Low-pass 1st
order
(6dB/octave)



Capacitor $C_1 =$ _____ (high pass) Inductor $L_1 =$ _____ (low pass)

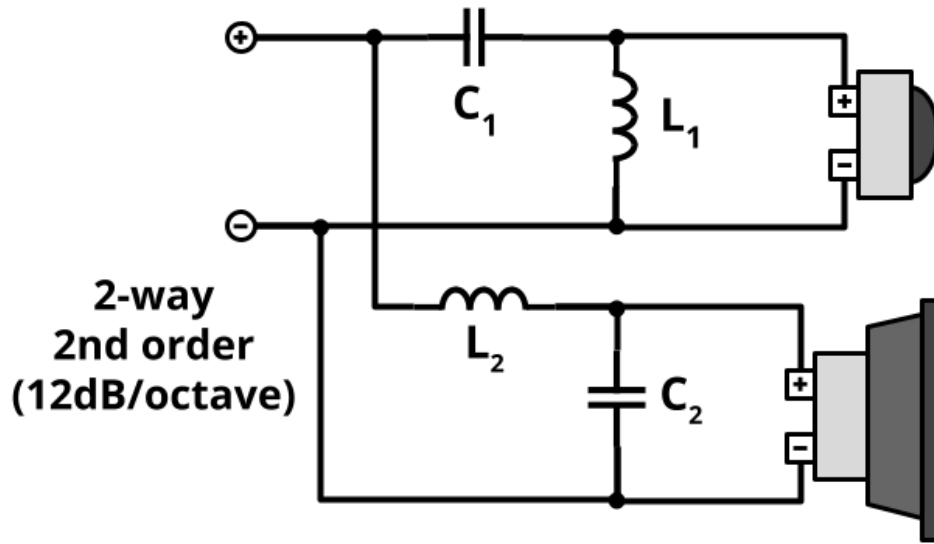
1st order 2-way

2-way
1st order
(6dB/octave)



Capacitor $C_1 =$ _____ (high pass) Inductor $L_1 =$ _____ (low pass)

2nd order 2-way



2-way
2nd order
(12dB/octave)

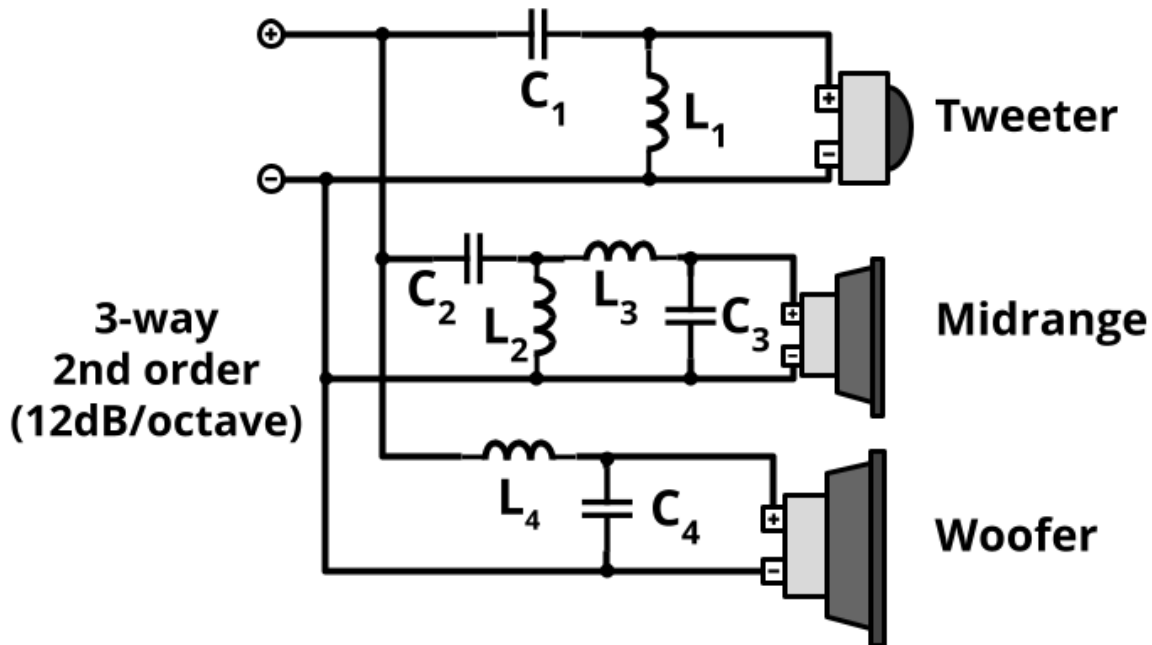
High pass:

Capacitor $C_1 =$ _____ Inductor $L_1 =$ _____

Low pass:

$C_2 =$ _____ $L_2 =$ _____

2nd order 3-way



3-way
2nd order
(12dB/octave)

Tweeter

Midrange

Woofer

High pass:

$C_1 =$ _____ $L_1 =$ _____

Mid. bandpass:

$C_2 =$ _____ $L_2 =$ _____ $C_3 =$ _____ $L_3 =$ _____

Low pass:

$C_4 =$ _____ $L_4 =$ _____