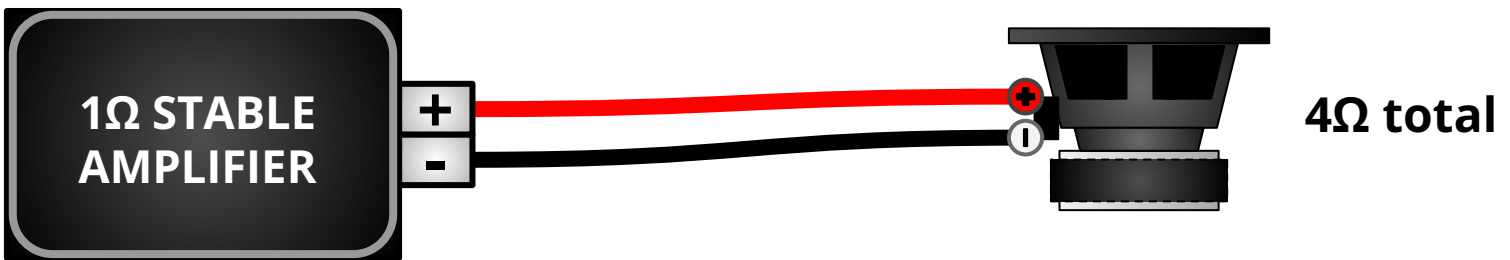


1 Ohm Stable Amplifier 4Ω SVC Subwoofer Wiring Diagram

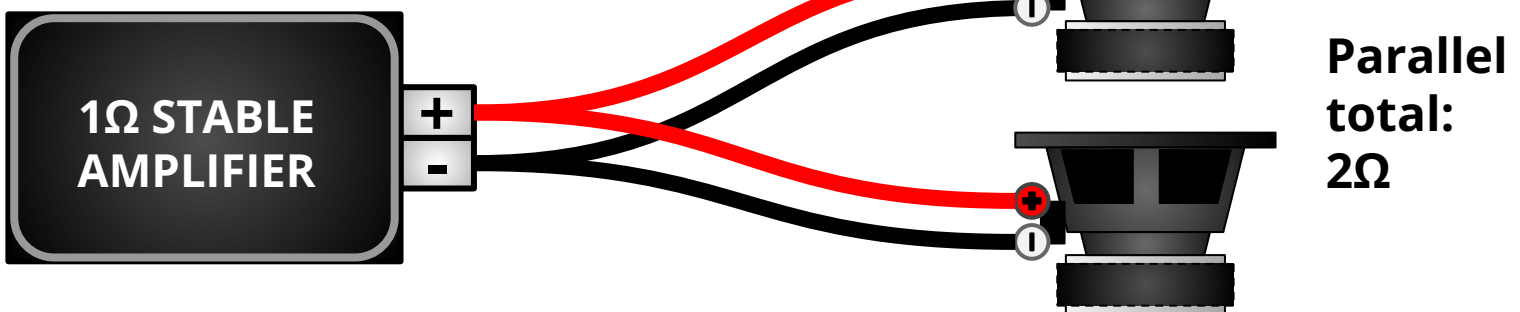
SoundCertified.com

This diagram shows how to wire subwoofers for a 1Ω stable (mono) amplifier for the best compromise between Ohms load and power output. Wiring for 1 to 4 subs at 4Ω is shown.

One 4Ω subwoofer

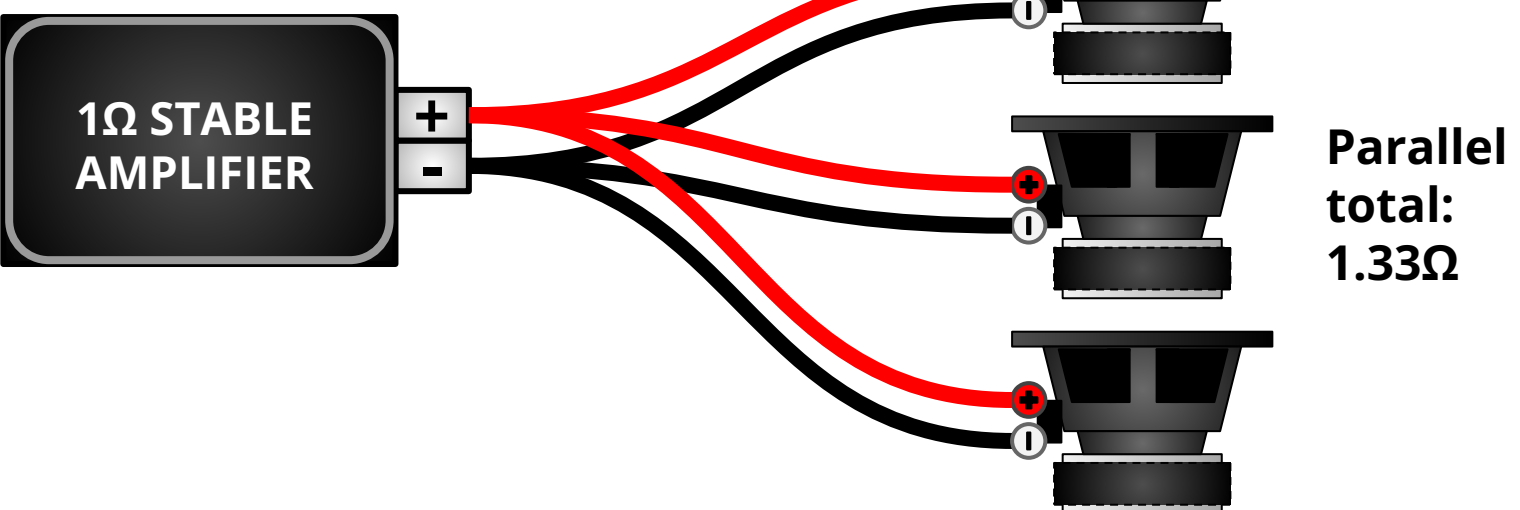


Two 4Ω subwoofers



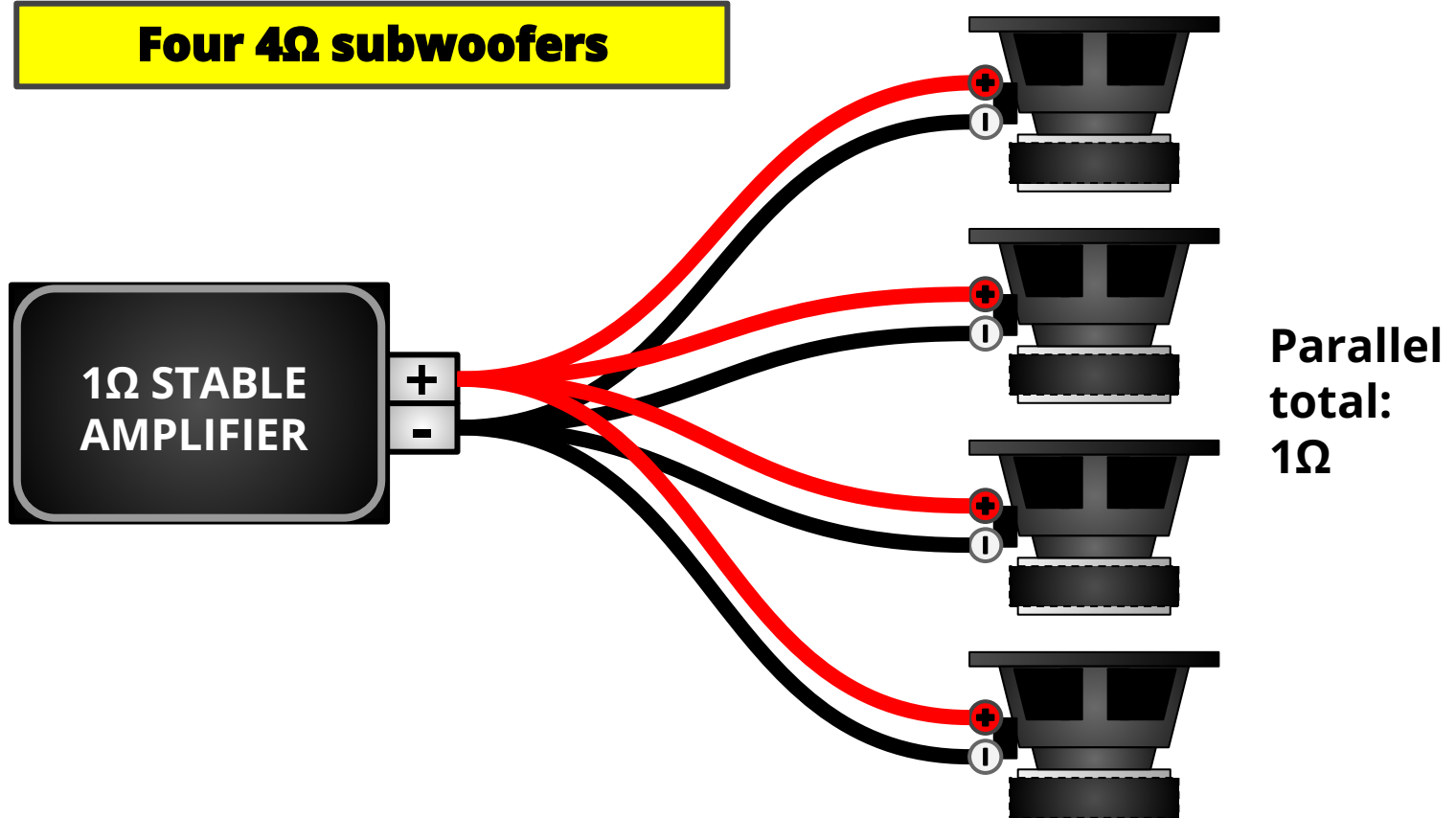
Result: OK - Each subwoofer gets $\frac{1}{2}$ of the amp's rated power output @ 2Ω

Three 4Ω subwoofers



Result: GOOD - The amp can deliver close to its maximum rated power. Each subwoofer receives $\frac{1}{3}$ the total power.

Four 4Ω subwoofers



Result: GOOD! - The amp can deliver its maximum rated power. Each subwoofer receives $\frac{1}{4}$ of the output power.