

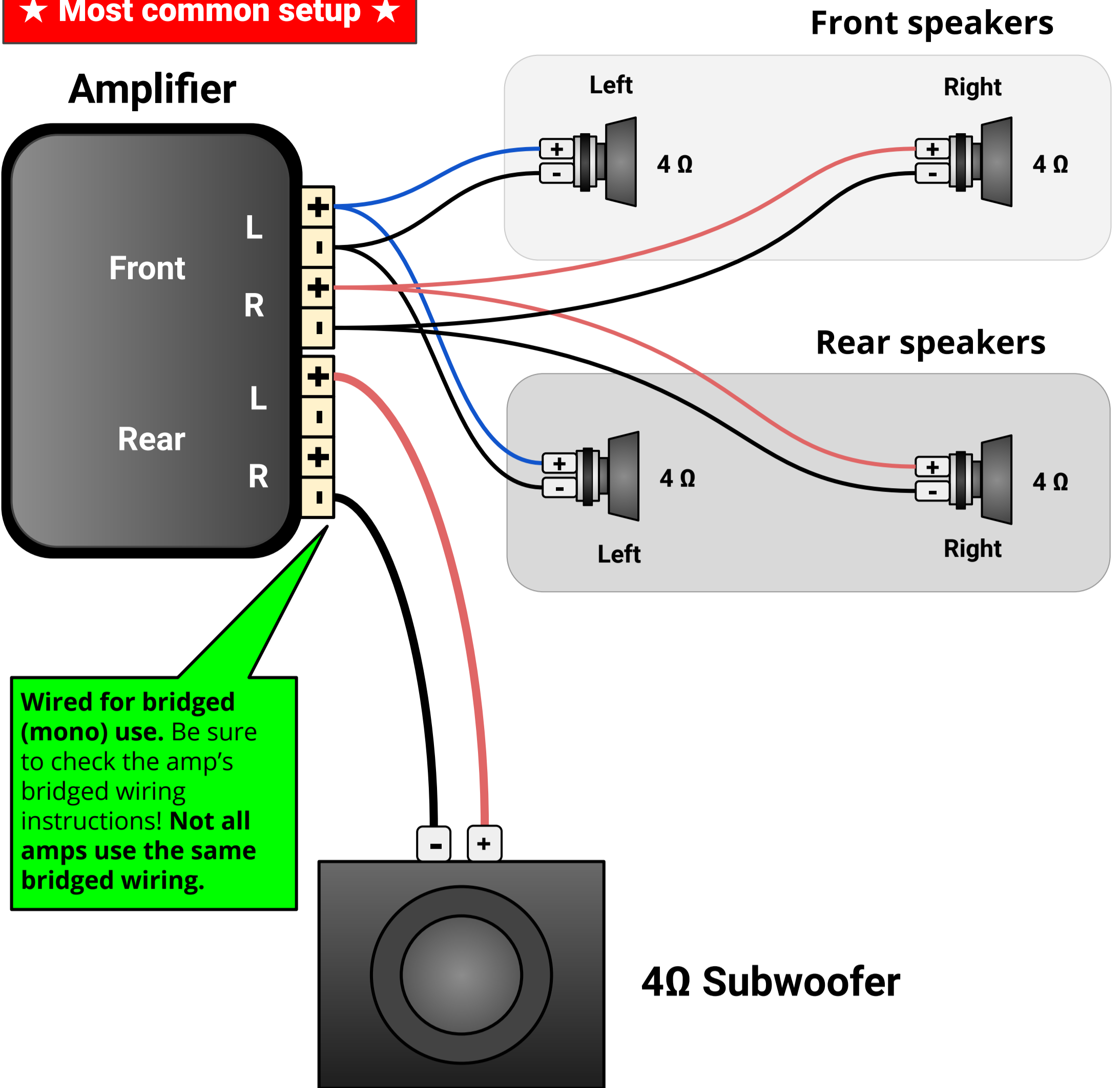
How To Wire A 4 Channel Amp To 4 Speakers And A Subwoofer (Diagram And Notes)

SoundCertified.com

1

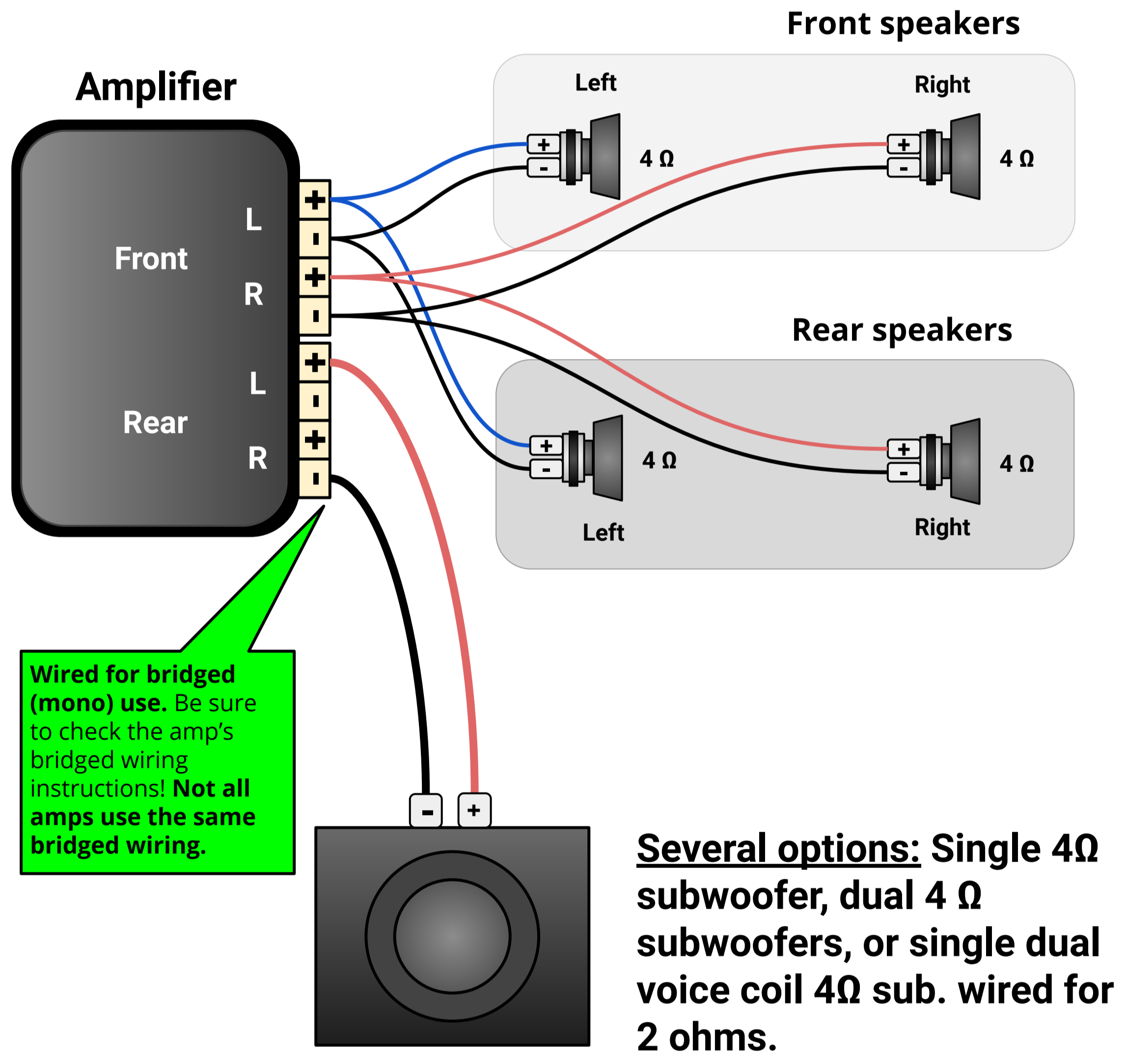
System 1: Using a 4 channel amp rated for 2 ohms stereo, 4 ohms bridged. Each front amp channel is wired with 2 speakers in parallel for 2 ohms per channel.

★ Most common setup ★



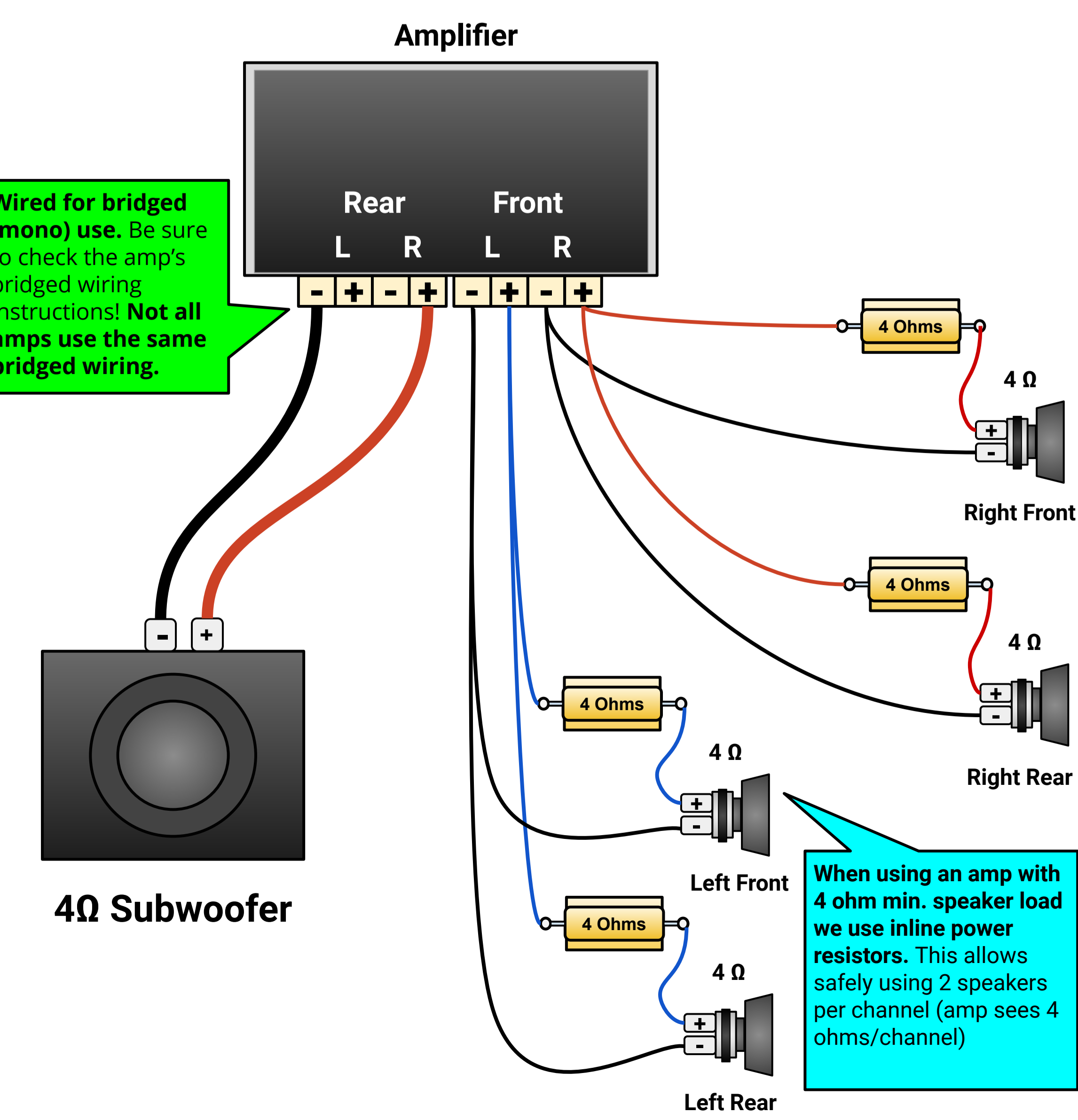
2

System 2: Using a 4 channel amp rated for 2 ohms stereo, 2 ohms bridged. Each front amp channel is wired with 2 speakers in parallel for 2 ohms per channel. Subwoofer can be 2 or 4 ohms (more options).



3

System 3: Using a 4 channel amp rated for 4 ohms minimum speaker load. Each front amp channel is wired with 2 speakers in parallel for 4 ohms per channel. Resistors are need to keep the total speaker load at 4 ohms/channel. (Two 8 ohm circuits in parallel = 4 ohms)



SoundCertified.com